

Customer Information

The document is only valid in pdf format with the vertical stamp on the right margin.

Printed by M.DUMAN at 13:52:53 EST 18.07.2023

Lightbar FX125-SP_Gen2_CI-Sheet.V00

RL 2023-07-11

9C1 4494106-EN-00

Released

AM-ENT-IND SSL&EL H 330

ECM

Mehmet Ali Duman AMW

External no.:

Template: ZOT 10000028

Page 1 of 6

OSRAM GmbH: Chairman of the Supervisory Board: Dr. Thomas Stockmeier; Managing Directors: Rainer Barthel (Chairman), Babette Fröhlich;
Registered office: Munich; Commercial registry: Munich, HRB 201526; WEEE-Reg.-No. DE 71568000

Lightbar FX125-SP GEN 2 - Customer Information Sheet LEDDL128-SP



#OSRAM 0LQ(V)

#M. DUMAN #330

#

#AMW #Lightbar FX125-SP_Gen2_CI-Sheet.V00

2023-07-11

#RL-Released

9C1 4494106-EN-00

Customer Information

The document is only valid in pdf format with the vertical stamp on the right margin.

Printed by M.DUMAN at 13:52:53 EST 18.07.2023

Lightbar FX125-SP_Gen2_CI-Sheet.V00

RL 2023-07-11

9C1 4494106-EN-00

Released

AM-ENT-IND SSL&EL H 330

ECM

Mehmet Ali Duman AMW

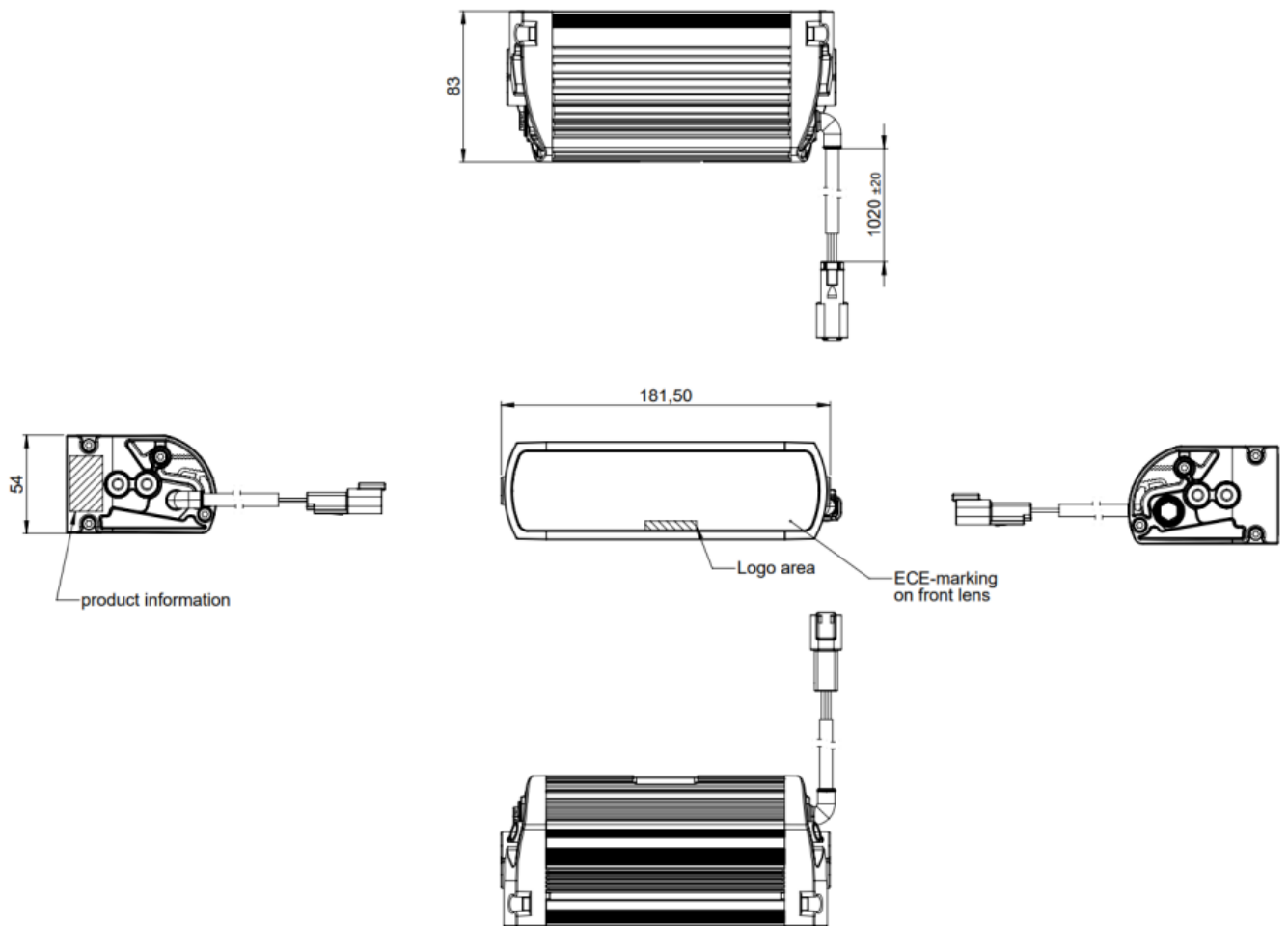
External no.:

Template: ZOT 10000028

Page 2 of 6

OSRAM GmbH: Chairman of the Supervisory Board: Dr. Thomas Stockmeier; Managing Directors: Rainer Barthel (Chairman), Babette Fröhlich;
Registered office: Munich; Commercial registry: Munich, HRB 201526; WEEE-Reg.-No. DE 71568000

Dimensions & Material



Dimensions (length, height, width)	182mm x 54mm x 83mm
Housing material	Black die cast aluminum
Lens material	Polycarbonate
Shape	Lightbar
Light pattern	Spot
Wire length	120cm
Weight (lightbar)	743,7g
Weight (lightbar + mounting material)	1076,2g

#OSRAM OLQ(V)
#330 #M. DUMAN
#AMW #Lightbar FX125-SP_Gen2_CI-Sheet.V00
2023-07-11
#RL-Released
9C1 4494106-EN-00

Customer Information

The document is only valid in pdf format with the vertical stamp on the right margin.

Printed by M.DUMAN at 13:52:53 EST 18.07.2023

Lightbar FX125-SP_Gen2_CI-Sheet.V00

RL 2023-07-11

9C1 4494106-EN-00

Released

AM-ENT-IND SSL&EL H 330

ECM

Mehmet Ali Duman AMW

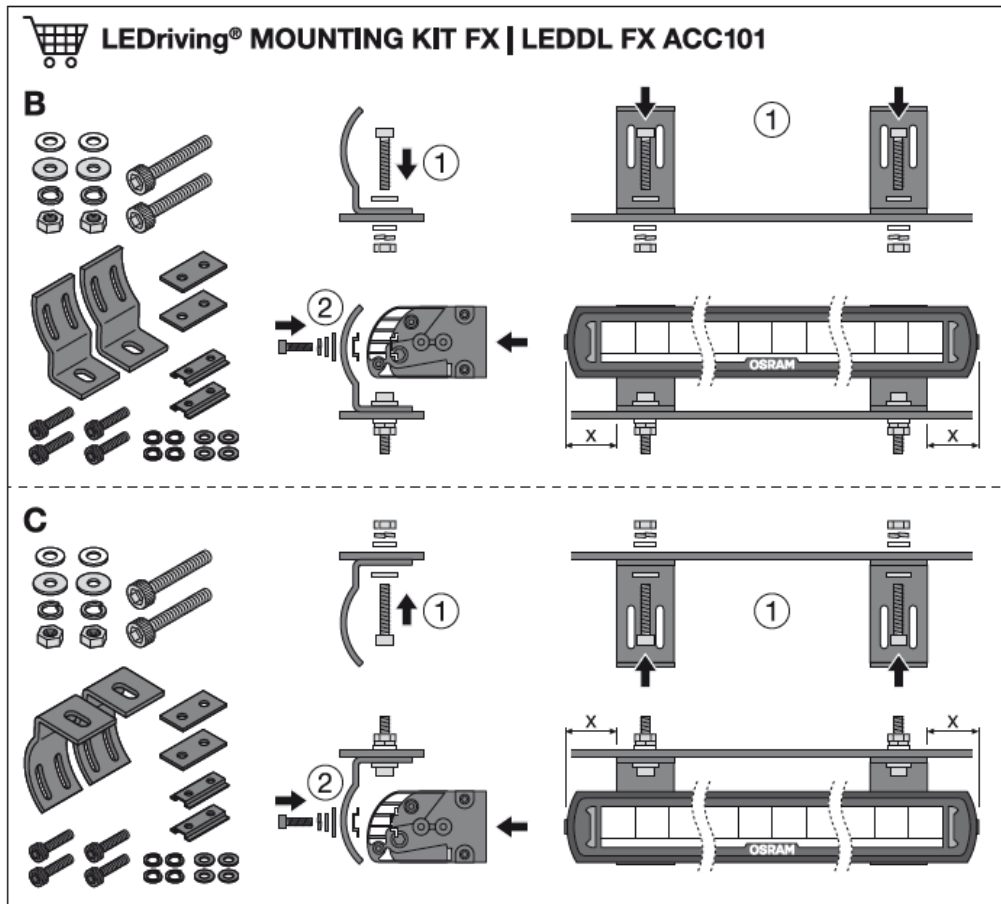
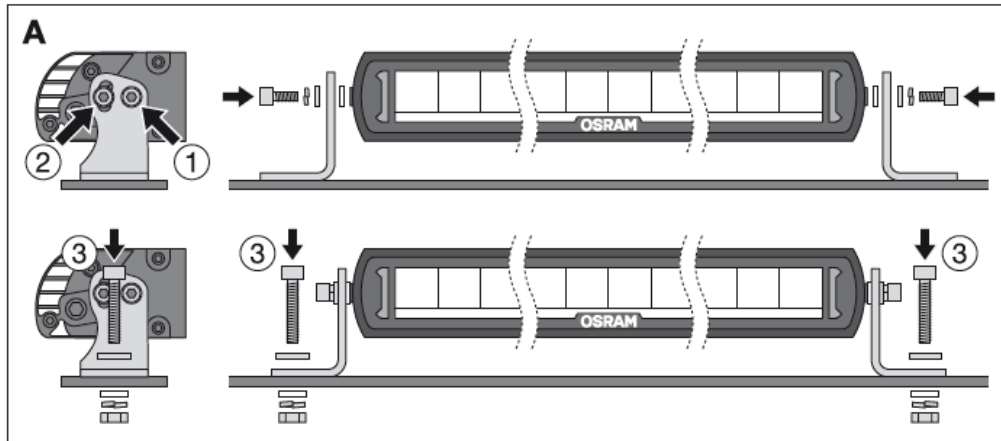
External no.:

Template: ZOT 10000028

Page 3 of 6

OSRAM GmbH: Chairman of the Supervisory Board: Dr. Thomas Stockmeier; Managing Directors: Rainer Barthel (Chairman), Babette Fröhlich;
Registered office: Munich; Commercial registry: Munich, HRB 201526; WEEE-Reg.-No. DE 71568000

Mounting options



Mounting / Installation arrangements	Mounting with Side brackets (A)
Additional mounting kit (separately available)	Back Brackets Mounting Kit FX GEN 2 (B/C)

#OSRAM OLQ(V)
#330 #M. DUMAN
#AMW #Lightbar FX125-SP_Gen2_CI-Sheet.V00
2023-07-11
#RL-Released
9C1 4494106-EN-00

Customer Information

The document is only valid in pdf format with the vertical stamp on the right margin.

Printed by M.DUMAN at 13:52:53 EST 18.07.2023

Lightbar FX125-SP_Gen2_CI-Sheet.V00

RL 2023-07-11

9C1 4494106-EN-00

Released

AM-ENT-IND SSL&EL H 330

ECM

Mehmet Ali Duman AMW

External no.:

Template: ZOT 10000028

Page 4 of 6

OSRAM GmbH: Chairman of the Supervisory Board: Dr. Thomas Stockmeier; Managing Directors: Rainer Barthel (Chairman), Babette Fröhlich;
Registered office: Munich; Commercial registry: Munich, HRB 201526; WEEE-Reg.-No. DE 71568000

#OSRAM OLQ(V)

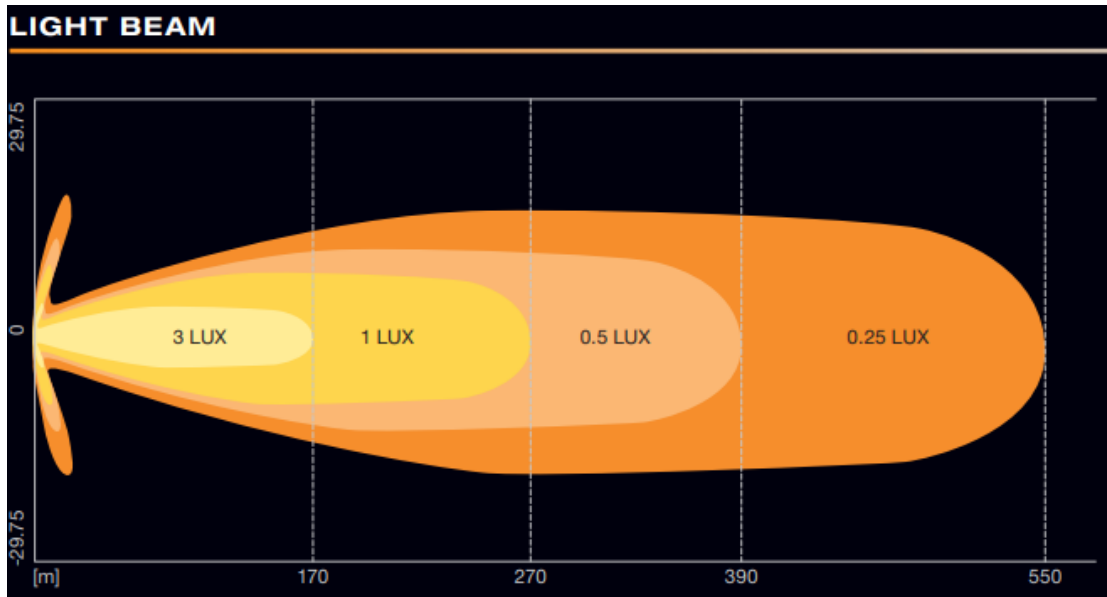
#330 #M. DUMAN

#Lightbar FX125-SP_Gen2_CI-Sheet.V00

#AMW

#RL-Released

Light distribution



Reference number	20
Distribution length at one lux	270m
Beam angle ¹ (horizontal / vertical)	6° / 6°
Field angle ² (horizontal / vertical)	10° / 10°

¹50% maximum intensity

²10% maximum intensity

2023-07-11

9C1 4494106-EN-00

Customer Information

The document is only valid in pdf format with the vertical stamp on the right margin.

Printed by M.DUMAN at 13:52:53 EST 18.07.2023

Lightbar FX125-SP_Gen2_CI-Sheet.V00

RL 2023-07-11

9C1 4494106-EN-00

Released

AM-ENT-IND SSL&EL H 330

ECM

Mehmet Ali Duman AMW

External no.:

Template: ZOT 10000028

Page 5 of 6

OSRAM GmbH: Chairman of the Supervisory Board: Dr. Thomas Stockmeier; Managing Directors: Rainer Barthel (Chairman), Babette Fröhlich;
Registered office: Munich; Commercial registry: Munich, HRB 201526; WEEE-Reg.-No. DE 71568000

Packaging content



No.	Part Name	Material	Qty
1	Lightbar	Housing: AL with black powder painting	1
2	User Manual	Paper	1
3	Side bracket	Stainless steel	2
3	M6 Spring washer	Stainless steel	4
4	M8 Spring washer	Stainless steel	2
5	M6 Plastic washer	Plastic	4
6	M8 Plastic washer	Plastic	2
7	M6 Plain washer	Stainless steel	4
8	M8 Plain Washer	Stainless steel	2
9	M6 Hex socket screw	Stainless steel	4
10	M8 Hex socket screw	Stainless steel	2

Standards and Regulation

EMC/EMI	ECE R10
IP Class	IP6K8, IP6K9K
ECE	ECE R10, R149
Others	ROHS, REACH

Electrical and photometrical data

Characteristics	Symbol	Unit	Major / Minor
Nominal voltage	U	V	12/24V
Voltage range	U	V	9V-30V
Power consumption	P	W	18W
Effective lumen	Φ	lm	1300lm

#OSRAM OLQ(V)
#330 #M. DUMAN
#AMW #Lightbar FX125-SP_Gen2_CI-Sheet.V00
2023-07-11
#RL-Released
9C1 4494106-EN-00

Customer Information

The document is only valid in pdf format with the vertical stamp on the right margin.

Printed by M.DUMAN at 13:52:53 EST 18.07.2023

Lightbar FX125-SP_Gen2_CI-Sheet.V00

RL 2023-07-11

9C1 4494106-EN-00

Released

AM-ENT-IND SSL&EL H 330

ECM

Mehmet Ali Duman AMW

External no.:

Template: ZOT 10000028

Page 6 of 6

OSRAM GmbH: Chairman of the Supervisory Board: Dr. Thomas Stockmeier; Managing Directors: Rainer Barthel (Chairman), Babette Fröhlich;
Registered office: Munich; Commercial registry: Munich, HRB 201526; WEEE-Reg.-No. DE 71568000

Lifetime

Test			
Lifetime average L70B50	Tc	h	>5.000h

Further specifications

Test	Rated value
Color temperature	Cold White (6000K)
Ambient Temperature range (Ta)	-40°C to +85°C
Storage Temperature range (Ts)	-40°C to +105°C
Number of LED's	5 pcs.
LED Type	OSRAM
Connector	Deutsch (DT04-2P, DT06-2S)
Thermal management	Temperature derating
Polarity	Polarity protection

Process of manufacturing

This product is designed and manufactured for the Automotive Aftermarket. Please consider the product specification to match the customer requirements.

Guarantee

Guarantee	5 years
-----------	---------

Successive listing of changes

Issue	Reason for change
05.07.2023	First Version

#OSRAM OLQ(V)
#330 #M.#DUMAN
#Lightbar FX125-SP_Gen2_CI-Sheet.V00
#AMW
2023-07-11
#RL-Released
9C1 4494106-EN-00