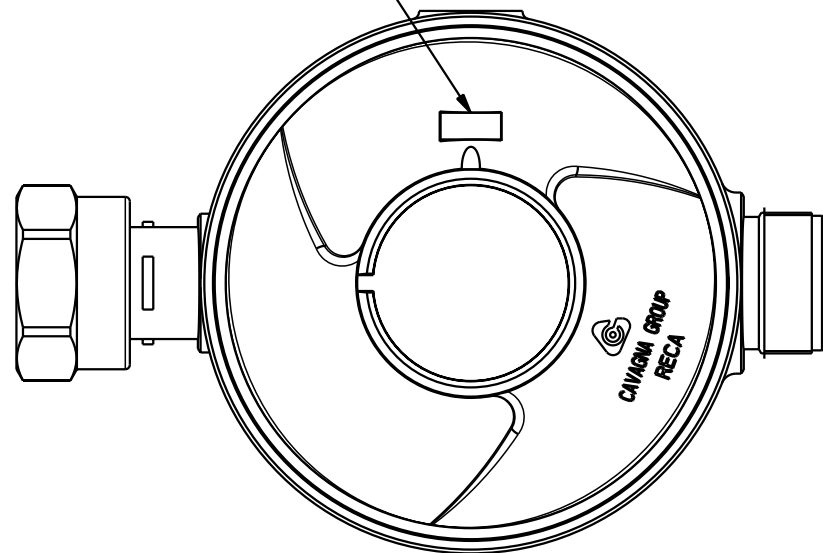


MANUFACTURING DATE
MONTH (+4) - YEAR



NO	NO PRODUCT	DENOMINATION	Q.TY
1	00-1-021-1585	SCATOLA MOD. 75 GREZZA	1
2	02-1-950-0009	S/I LEVETTA STANDARD IN ZAMA	1
3	05-1-110-0001	STANDARD LEVER PIN	1
4	09-1-950-0027	S/A DIAPHRAGM STANDARD	1
5	07-1-110-0140	MOLLA DI TARATURA 40 mbar	1
6	01-1-121-0040	COPERCHIO STANDARD NEUTRO	1
7	24-1-110-0001	WHITE ALUMINIUM RAL 9006	1
8	18-1-310-0167	TAMPONE REGOLATORE (INK STAMP)	1
9	04-1-110-0502	O RING	1
10	16-1-950-0121	S/I RACCORDO BROCCIATO (per calotta 20x1.5)	1
11	10-1-110-0087	ECROU DETENDEUR GPL (CALOTTA M20 X 1.5)	1
12	04-1-110-0014	JOINT M 20x1.5	1
13	34-1-110-0450	INST 754-758 FIXED 2ND STAGE (FR-ES-PT)	1
14	23-1-210-0094	STANDARD SINGLE BOX	1
15	23-1-510-0024	STANDARD BOX (R52)	1

	DENOMINATION		PROPANE 37 mbar 4 kg/h				
	SECOND STAGE REGULATOR		N.A.				
RECA	MODEL	ORIFICE	INLET		OUTLET	SHARED	PROD. INT. GROUP
	754	2.5	M 20X1.5 FEMALE		M 20X1.5 MALE	N.A.	-
PERFORMANCE DOC.	COUNTRY	COUNTRY SPECIFIC	WEIGHT	SCALE	MODIFY FILE	PRODUCT NO	
754-001	N.A.	N.A.	-	1:1	DM06037	75-1-490-0092	
PROD. EVOLUTION	PROJECT NO	RELEASE LEVEL	DRAWN BY	VERIFIED BY	APPROVED BY	DATE	REV
DEFINITIVE	N.A.	APPROVED+	SCARPELLA A.	TOMASELLI L.	SCHLICK B.	15/01/18	6