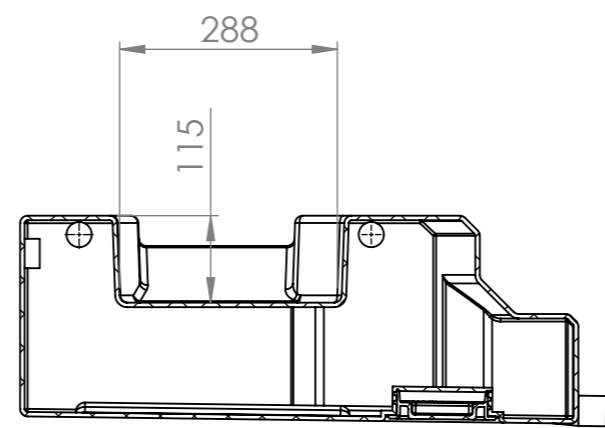
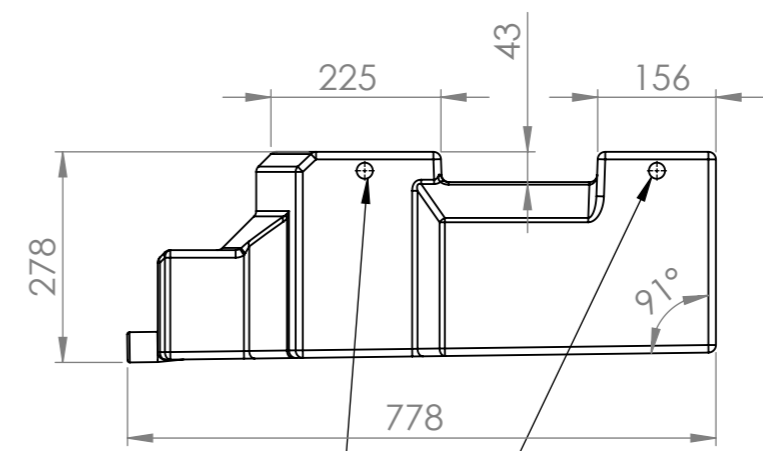
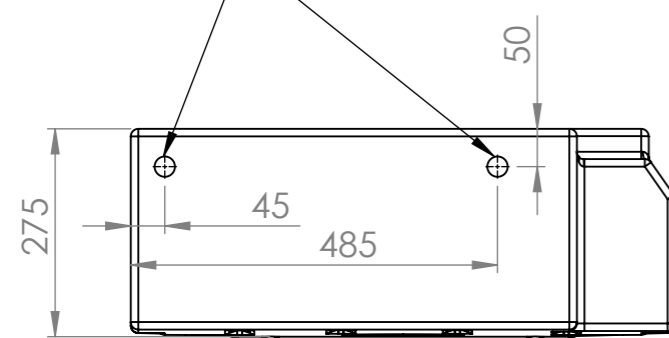
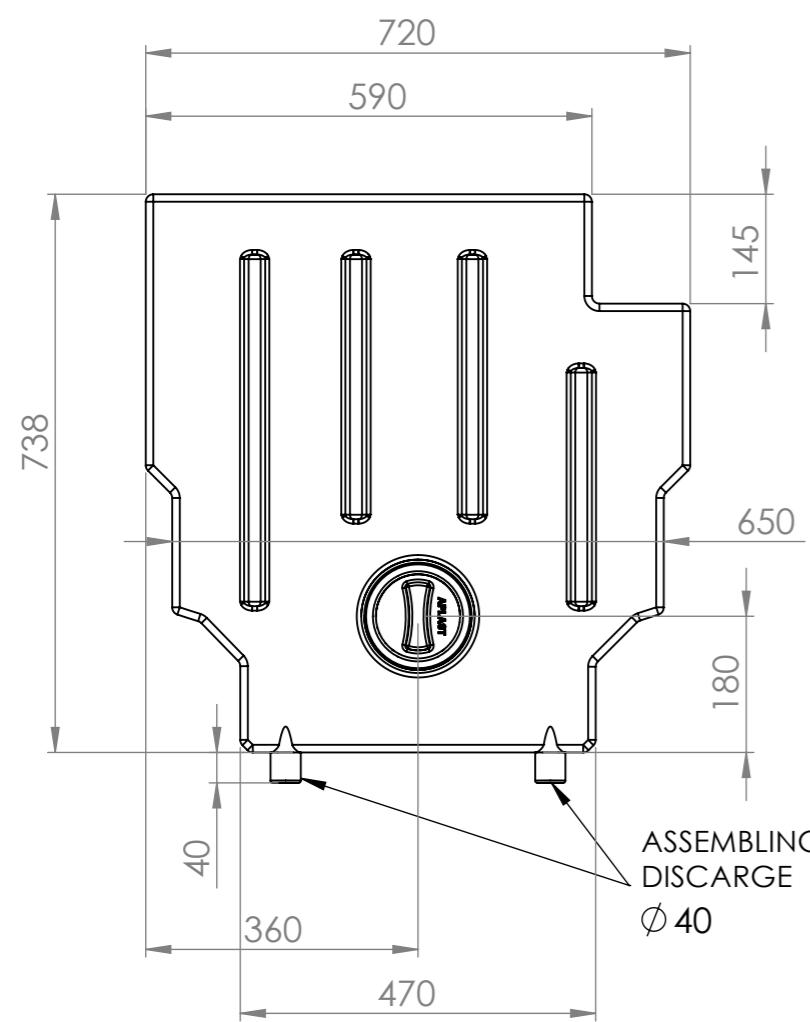


ASSEMBLING POINTS  
2x INLET thread G3/4"

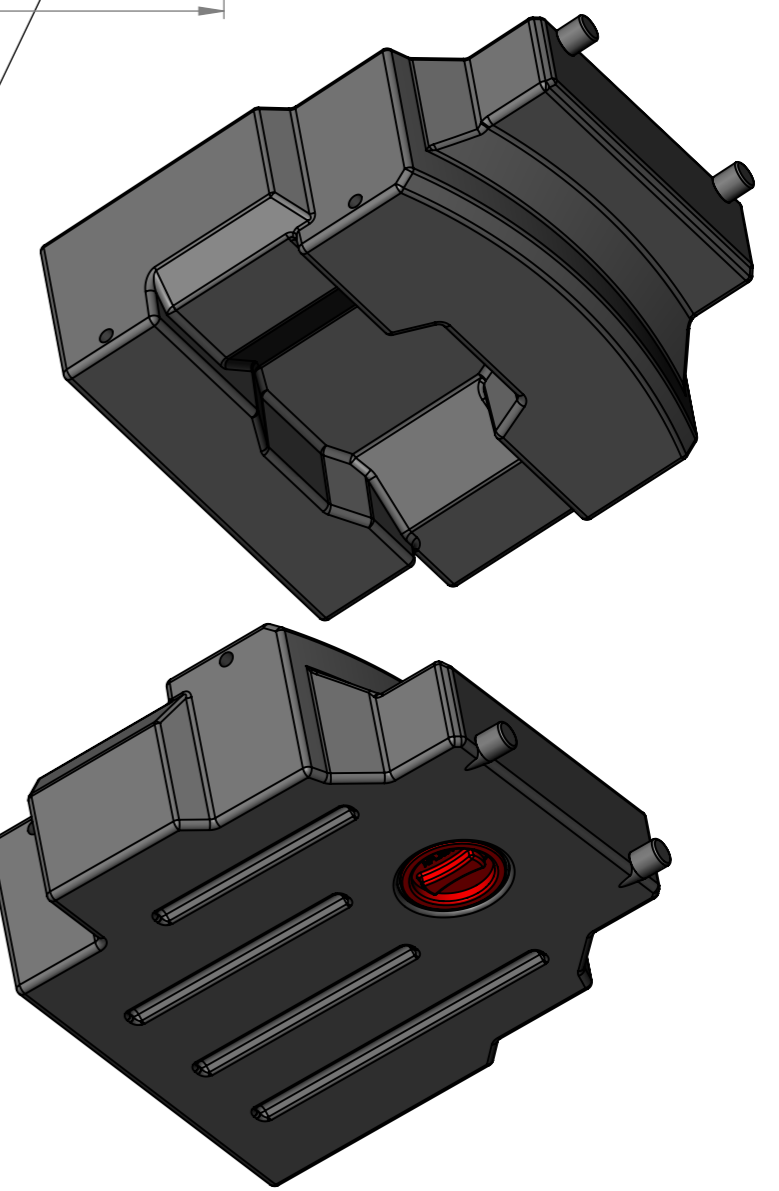


CROSS SECTION A-A



ASSEMBLING POINTS  
DISCHARGE  
Ø 40

ASSEMBLING POINTS  
4xEXHAUST  
thread G1/2"



UNIT OF DEMENSIONS: mm	CRITERIA 1:10	MATERIAL: PE - HD	VOLUME:	MASS:
DATUM	IME	NAZIV		
MADE 1. 03. 2023			<b>700000280_APLAST</b> <b>WASTEWATER TANK 90L FORD</b>	
CONFIRMED 1. 03. 2023				
APPROVED 1. 03. 2023				

<b>APLAST</b> <a href="http://www.aplast.si">http://www.aplast.si</a>	NO. DRAWINGS	IDENT	A3 Page 1 of 1
	R/A0103120102	700000280	

This drawing is the property of APLAST d.o.o. and must not, without our consent be copied, handed to other persons or otherwise misused!

REVISIONS

ZONE	REV.	DESCRIPTION	DATE	APPROVED
8				
7				
6				
5				