

**BARBECUES :
PLANCHA L - LX - EX - EXB**

**MOD. BEFORE 2018
MOD. AVANT 2018**



PLANCHA L



PLANCHA LX



PLANCHA EX



PLANCHA EXB

**MOD. FROM 2018
MOD. A PARTIR DE 2018**



PLANCHA L



PLANCHA EX

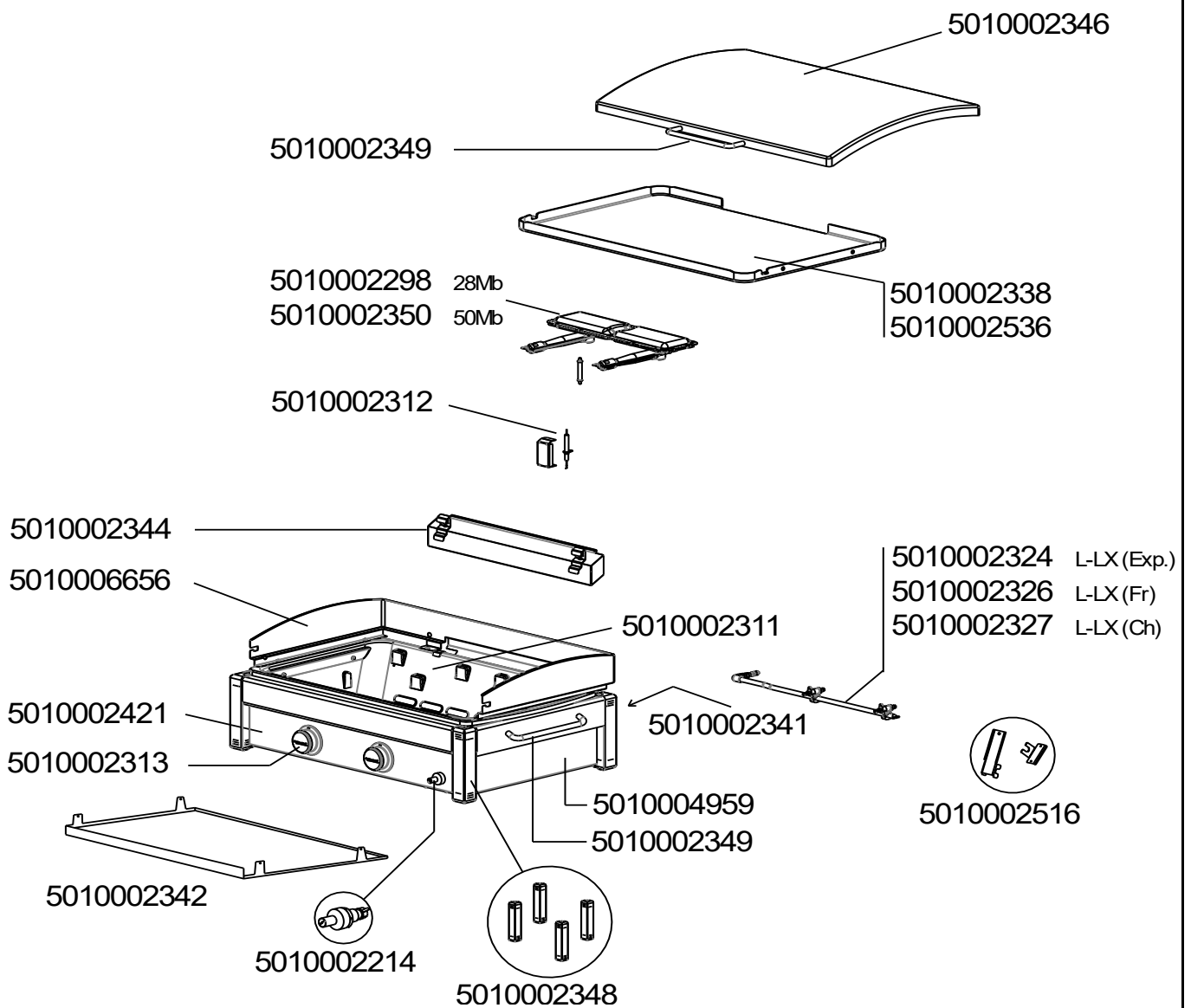


PLANCHA EXB

BARBECUES : PLANCHA L - LX - EX - EXB

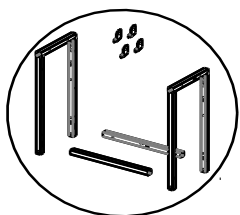
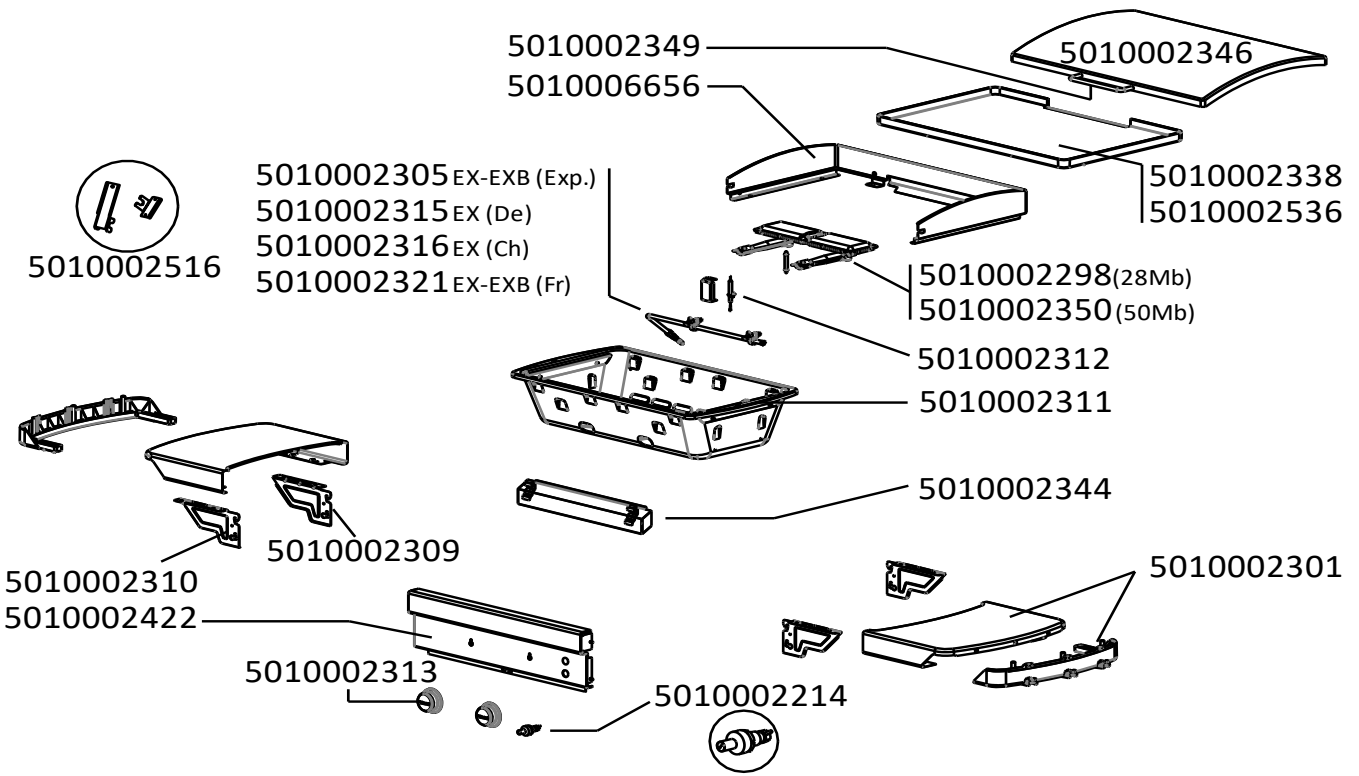
MOD. L / LX

BEFORE / AVANT 2018



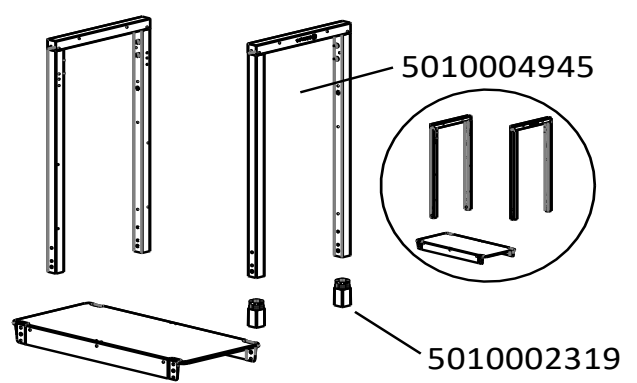
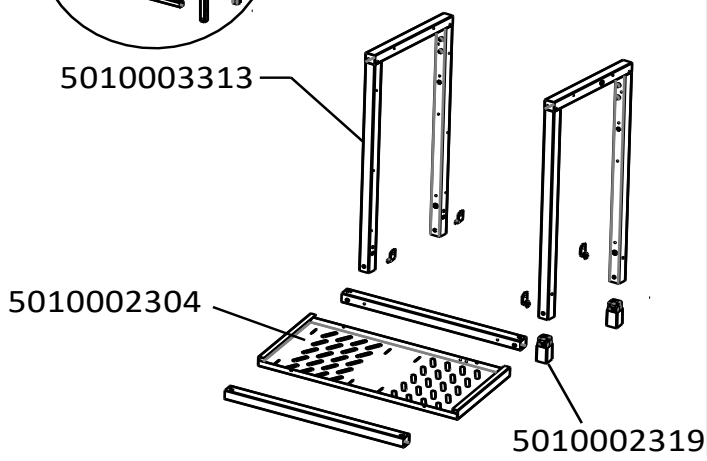
BARBECUES : PLANCHA L - LX - EX - EXB

MOD. EX / EXB

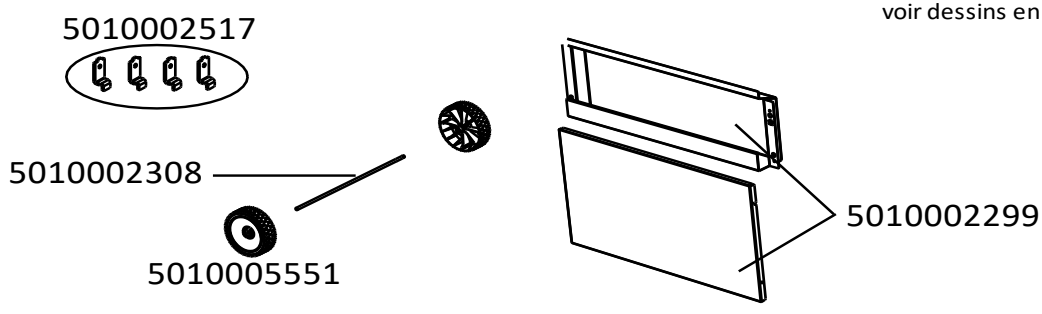


**MOD. BEFORE 2018
MOD. AVANT 2018**

**MOD. FROM 2018
MOD. A PARTIR DE 2018**



TROLLEY / CHARIOT
See drawing last page
voir dessins en dernière page

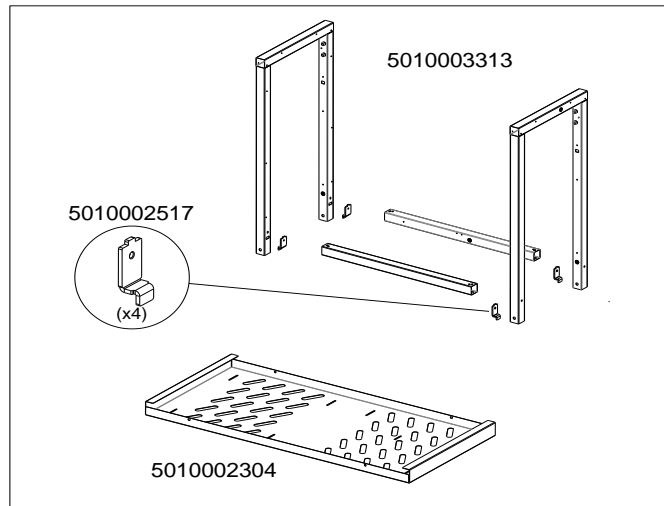


**Screw Bag
Sachet de vis
5010004946**

BARBECUES : PLANCHA L - LX - EX - EXB

TROLLEY / CHARIOT

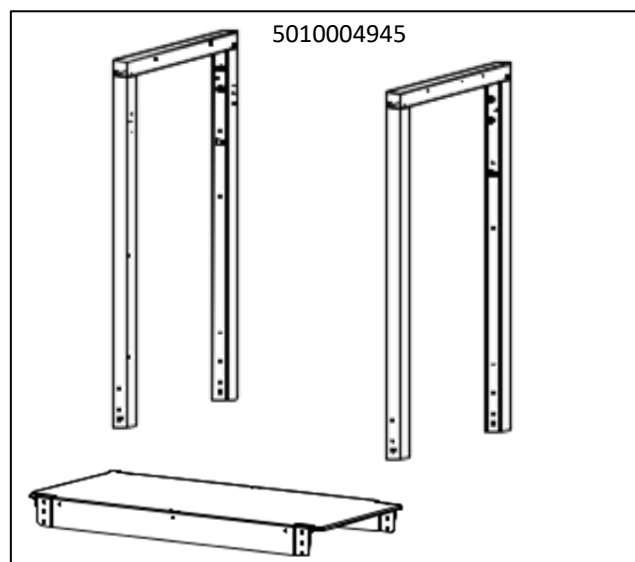
BEFORE / AVANT 2018



5010004946

Screw bag
Sacs de vis

FROM / A PARTIR DE 2018



5010004946

screw bag
Sacs de vis

BARBECUES : PLANCHA L - LX - EX - EXB



SPARE PARTS REF.	POINTS	EN DESCRIPTIONS	FR DESCRIPTIONS	PLANCHA L	PLANCHA LX	PLANCHA EX	PLANCHA EXB
5010002214	80	PIEZO 1 OUTLET	PIEZO SIMPLE	X	X	X	X
5010002298	120	BURNER (STAINLESS STEEL TOP / STEEL BOTTOM) WITH SUPPORT	BRULEUR (PARTIE SUP. INOX / PARTIE INF. ACIER) AVEC ENTRETOISE	X	X	X	X
5010002299	120	TOP + BOTTOM FRONT PANEL - LIGHT GREY	PANNEAU AVANT HAUT + BAS - GRIS CLAIR			X	X
5010002301	130	RIGHT OR LEFT SIDE SHELF	ETAGERE LATERALE DROITE OU GAUCHE			X	X
5010002304	100	CANISTER SUPPORT	SUPPORT DE RESERVOIR			X	X
5010002305	160	GAS PIPE 28Mb (Export)	TUBULURE 28Mb (Export)			X	X
5010002308	30	WHEEL AXLE	AXE DE ROUE			X	X
5010002309	50	LEFT SIDE SHELF SUPPORT	SUPPORT GAUCHE ETAGERE			X	X
5010002310	50	RIGHT SIDE SHELF SUPPORT	SUPPORT DROITE ETAGERE			X	X
5010002311	200	BASE	CUVE	X	X	X	X
5010002312	60	ELECTRODE + WIRE + SUPPORT	ELECTRODE + FIL + SUPPORT	X	X	X	X
5010002313	60	KNOB (x2)	VOLANT (x2)	X	X	X	X
5010002315	160	GAS PIPE 50Mb 1/4" (De)	TUBULURE 50Mb 1/4" (De)			X	
5010002316	160	GAS PIPE 28Mb 1/4" (Ch)	TUBULURE 28Mb 1/4" (Ch)			X	
5010002319	30	PLASTIC FOOT (X1)	PIED PLASTIQUE (X1)			X	X
5010002321	160	GAS PIPE 28Mb 1/2" (Fr)	TUBULURE 28Mb 1/2" (Fr)			X	X
5010002324	160	GAS PIPE 28Mb (Export)	TUBULURE 28Mb (Export)	X	X		
5010002326	160	GAS PIPE 28Mb 1/2" (Fr)	TUBULURE 28Mb 1/2" (Fr)	X	X		
5010002327	160	GAS PIPE 28Mb 1/4" (Ch)	TUBULURE 28Mb 1/4" (Ch)	X	X		
5010002338	410	ENAMELLED STEEL COOKING GRIDDLE - SHINY (MOD. L - EXB)	PLAQUE DE CUISSON ACIER EMAILLEE - BRILLANTE (MOD. L - EXB)	X			X
5010002341	60	BACK PANEL	PANNEAU ARRIERE	X	X		
5010002342	60	THERMIC SHIELD	ECRAN THERMIQUE	X	X		
5010002344	60	GREASE TANK	RESERVOIR A GRAISSE	X	X	X	X
5010002346	220	LID WITHOUT HANDLE - DARK GREY	COUVERCLE SANS POIGNEE - GRIS FONCE		X	X	
5010002348	90	LEGS (x4) + PLASTIC CAPS	PIEDS (x4) + EMBOUTS	X	X		
5010002349	60	LID HANDLE + SCREWS	POIGNEE COUVERCLE + VIS	X	X	X	
5010002350	120	STEEL BURNER WITH SUPPORT	BRULEUR ACIER AVEC ENTRETOISE		X	X	
5010002421	80	CONTROL PANEL	CONSOLE	X	X		
5010002422	80	CONTROL PANEL	CONSOLE			X	X
5010002516	30	GAS TUBE HOLDER	SUPPORT TUBULURE	X	X	X	X
5010002517	50	TUBE JUNCTION FOR 2014 TROLLEY	SUPPORT POUR CHARIOT 2014			X	X
5010002536	550	CAST IRON ENAMELLED COOKING GRIDDLE - SHINY (MOD. EX - LX)	PLAQUE DE CUISSON FONTE EMAILLEE - BRILLANTE (MOD. EX - LX)		X	X	
5010003313	320	CARRIAGE	CHARIOT			X	X
5010004945	270	CYLINDER SUPPORT + TROLLEY	SUPPORT BOUTEILLE + CHARIOT			X	X
5010004946	110	SCREW BAG	SACHET DE VIS			X	X
5010004959	60	LEFT AND RIGHT SIDE PANELS	FLANCS GAUCHE ET DROITE	X	X		
5010005551	50	WHEEL DIAMETER 160 (X 1) WITH CHROMED CAP	ROUE DIAMETRE 160 (X 1) AVEC ENJOLIVEUR CHROME			X	X
5010006656	120	REAR WINDSHIELD (MODEL WITHOUT LID)	PAREVENT ARRIERE (MODELE SANS COUVERCLE)	X	X	X	X